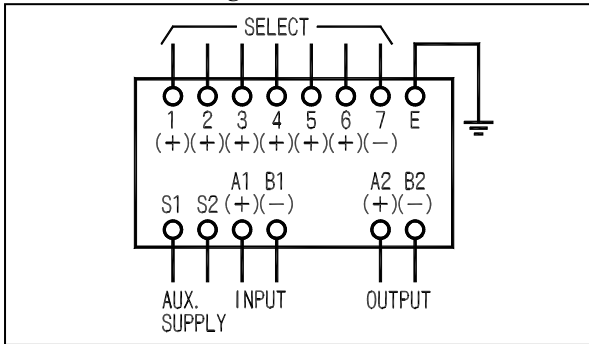


SCALING TRANSDUCER SCTT-83A

Use

Select scaling constant according to DC input (MAX. 6 range) and convert to necessary DC signal.

Connection diagram



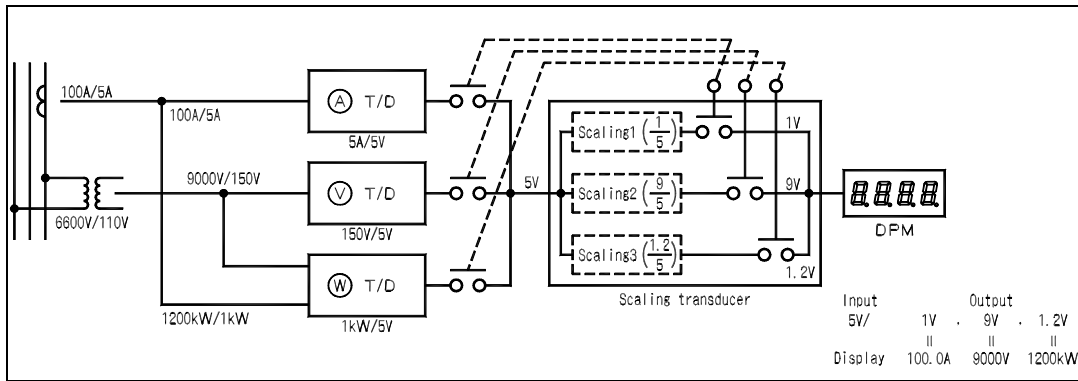
SCTT-83A

(120 × 110 × 130mm/800g)

Specifications

Kind of input (input resistance)	Scaling selection signal	Auxiliary supply	Common specifications
<ul style="list-style-type: none"> <li>1 : 0-1V (Approx. 50kΩ)</li> <li>2 : 0-5V (Approx. 50kΩ)</li> <li>3 : 0-10V (Approx. 50kΩ)</li> <li>4 : 1-5V (Approx. 50kΩ)</li> <li>5 : 0-1mA (Approx. 100Ω)</li> <li>6 : 0-5mA (Approx. 100Ω)</li> <li>7 : 0-10mA (Approx. 100Ω)</li> <li>8 : 0-16mA (Approx. 100Ω)</li> <li>9 : 4-20mA (Approx. 100Ω)</li> <li>0 : other than those above</li> </ul>	<ul style="list-style-type: none"> <li>1 : DC24V±15%</li> <li>2 : DC48V±15%</li> <li>3 : DC110V±15%</li> <li>0 : other than those above</li> </ul> <p>Current consumption: Approx. 10mA</p>	<ul style="list-style-type: none"> <li>1 : AC100V±15%, 50/60Hz</li> <li>2 : AC110V±15%, 50/60Hz</li> <li>3 : AC200V±15%, 50/60Hz</li> <li>4 : AC220V±15%, 50/60Hz</li> <li>5 : DC24V±15%</li> <li>6 : DC48V±15%</li> <li>7 : DC110V (88-143V)</li> <li>0 : other than those above</li> </ul>	<p>Tolerance: ±0.5%</p> <p>Response time: 0.1sec. or less/99%</p> <p>Consumption VA: AC power source 3VA DC power source 4W</p> <p>Weight: 0.8kg</p>

Open of current output: even if the current output terminal is used in a state of regular open, there is no problem. Also, a voltage of approx. 15V occurs on the output terminal.\* Tolerance: % against Max. output value.



Input/output non-insulation type

This product is non-insulation type. (-) side of each input and (-) side of output are electrically common.

Purchase specifications

